

# UNI-SPENSE<sup>®</sup> DRY INGREDIENT DISTRIBUTOR

Adjustable granule distributor for use  
in coating drum, blender, and over  
the belt conveyor applications.

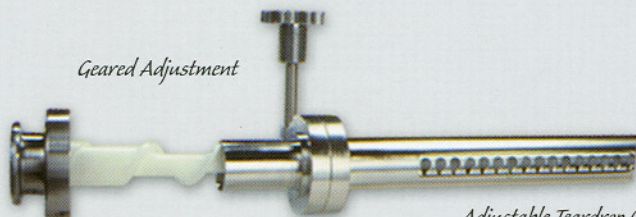
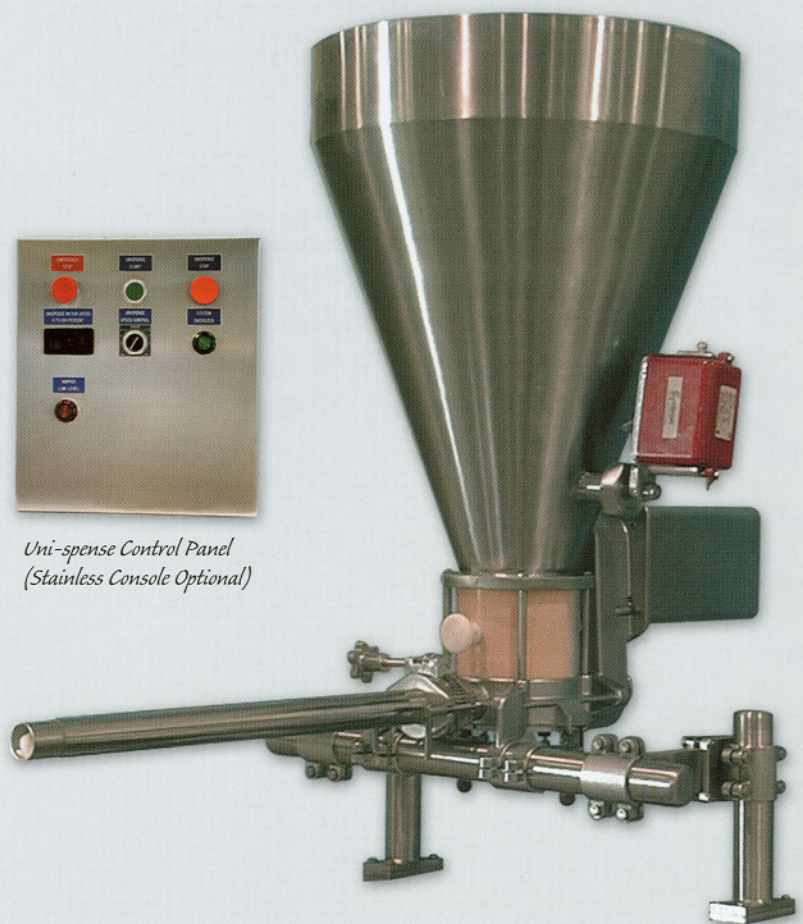
Delivers uniform coating with "tools-free" operation. Unique adjustable teardrop openings and auger design allows for distribution of a variety of powders, granules, chopped and shredded products.

## Standard Features

- 304 stainless steel construction
- "Tools-Free" product changeovers
- NEMA 4 fiberglass control console with variable speed control with digital readout
- Clear sight tube
- 1-1/2 cu/ft stainless steel supply hopper with "Bridge-Buster<sup>™</sup>" assembly and vibrator with adjustable cycle timer
- Stainless steel distribution tube with worm gear adjustable teardrop openings
- Low, mid, or high volume augers with "tools-free" disconnect



*Uni-spense Control Panel  
(Stainless Console Optional)*



Tel: 636-629-7366  
800-260-7366  
Fax: 636-629-7455  
spray@usmo.com



Spray Dynamics Ltd., 108 Bolte Lane, St. Clair MO 63077

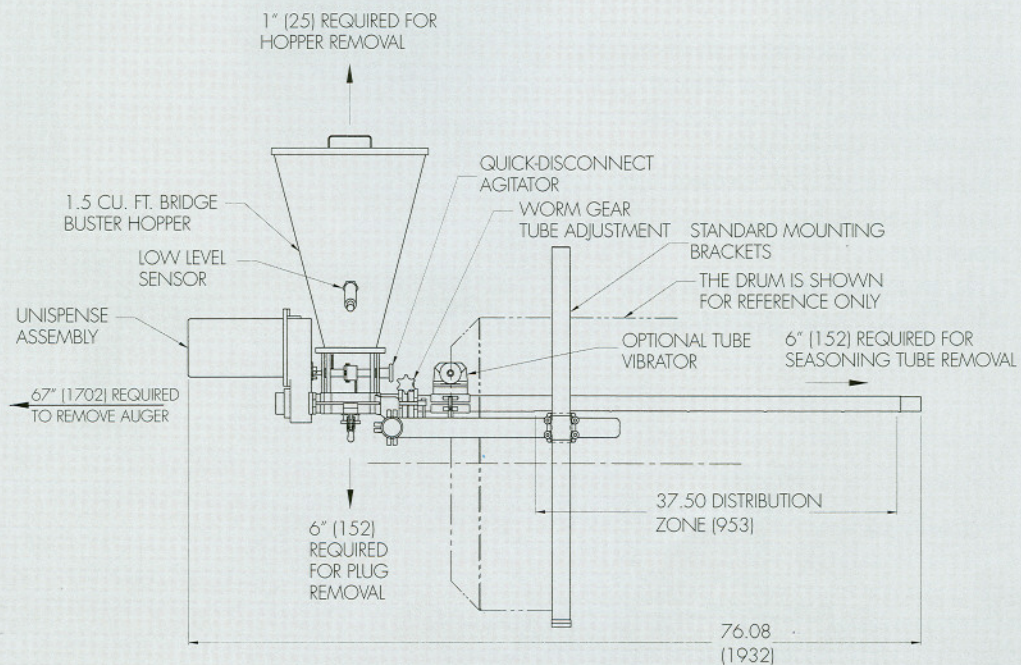
# UNI-SPENSE® DRY INGREDIENT DISTRIBUTOR

## AVAILABLE OPTIONS

- Powder Xpress® Material Transfer System
- Enhancer® Electrostatic Spice/Powder Applicator
- Delta Dry™ Loss-in-Weight System
- Custom sized supply hoppers
- Custom length distribution tubes
- Stainless steel augers
- Custom mounting hardware
- 4-20 m.a. or 0-10 volt D.C. input signal control
- "C" face A.C. (or D.C.) motor and right angle gear reducer
- Tube vibrator
- Deflector plate
- Portable stainless steel stand with casters
- Stainless steel control console

## POWER SPECIFICATIONS

- 115/220 VAC, 50/60 Hz, single phase
- Variable speed D.C. motor controller with NEMA 4 enclosure
- 1/4 H.P. 90 Volt DC gear motor-standard



Tel: 636-629-7366  
800-260-7366  
Fax: 636-629-7455  
spray@usmo.com

**SPRAY  
DYNAMICS® Ltd.**

Spray Dynamics Ltd., 108 Bolte Lane, St. Clair MO 63077