

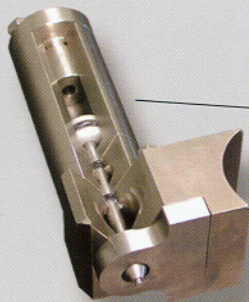
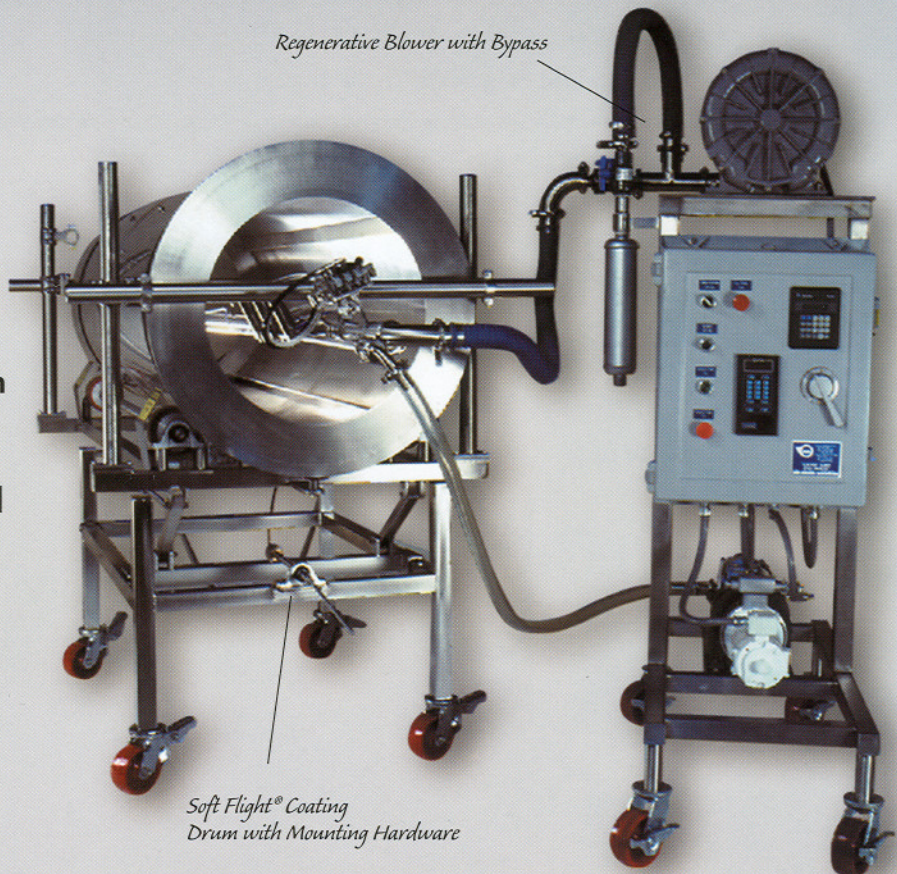
"CLOG-FREE" SLURRY ENCOATER[®]

Spray virtually any pumpable slurry, sugars, syrups, honey, oils, emulsions and digests.

Engineered for cereal, snack and petfood applications to boost quality and minimize waste. Proven multi-spray station design provides maximum product coverage with exacting rate control. Our "clog-free" spray station design prevents nozzle plugging. Sprays particulates up to 1/8". Designed for coating drum and conveyor belt applications.

Standard Features

- 304 stainless steel construction
- "Clog-Free" spray stations with positive shut-off
- Stand-alone PLC based control console includes centrifugal pump, washdown motor and regenerative blower with by-pass adjustment
- Variable nozzle clean-out frequency



Tel: 636-629-7366
800-260-7366
Fax: 636-629-7455
spray@usmo.com

**SPRAY
DYNAMICS[™] LTD.** 

Spray Dynamics Ltd., 108 Bolte Lane, St. Clair MO 63077

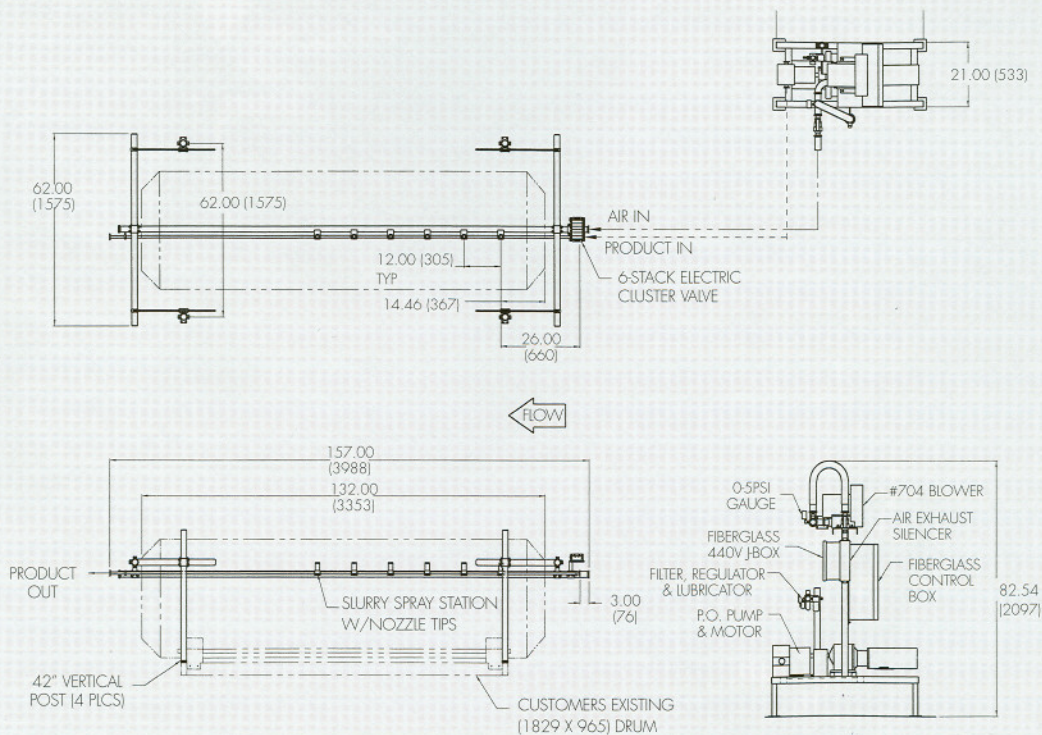
"CLOG-FREE" SLURRY ENCOATER

AVAILABLE OPTIONS

- Water-flush spray stations
- Custom spray manifold configurations
- Heated spray manifold
- Nozzle sizes 1/16" through 7/32"
- Custom tank systems
- Mist and dust collection systems
- Positive displacement and diaphragm pumps
- Volumetric and gravimetric flow meters
- Stainless steel control console

POWER SPECIFICATIONS

- 115/220 VAC, 50/60 Hz, single phase
- 220/440 VAC, 50/60 Hz, three phase
- NEMA 4 fiberglass control console
- 80 P.S.I.G. @ 1.2 S.C.F.M. per nozzle



Tel: 636-629-7366
800-260-7366
Fax: 636-629-7455
spray@usmo.com

**SPRAY
DYNAMICS[®] Ltd.**

Spray Dynamics Ltd., 108 Bolte Lane, St. Clair MO 63077