

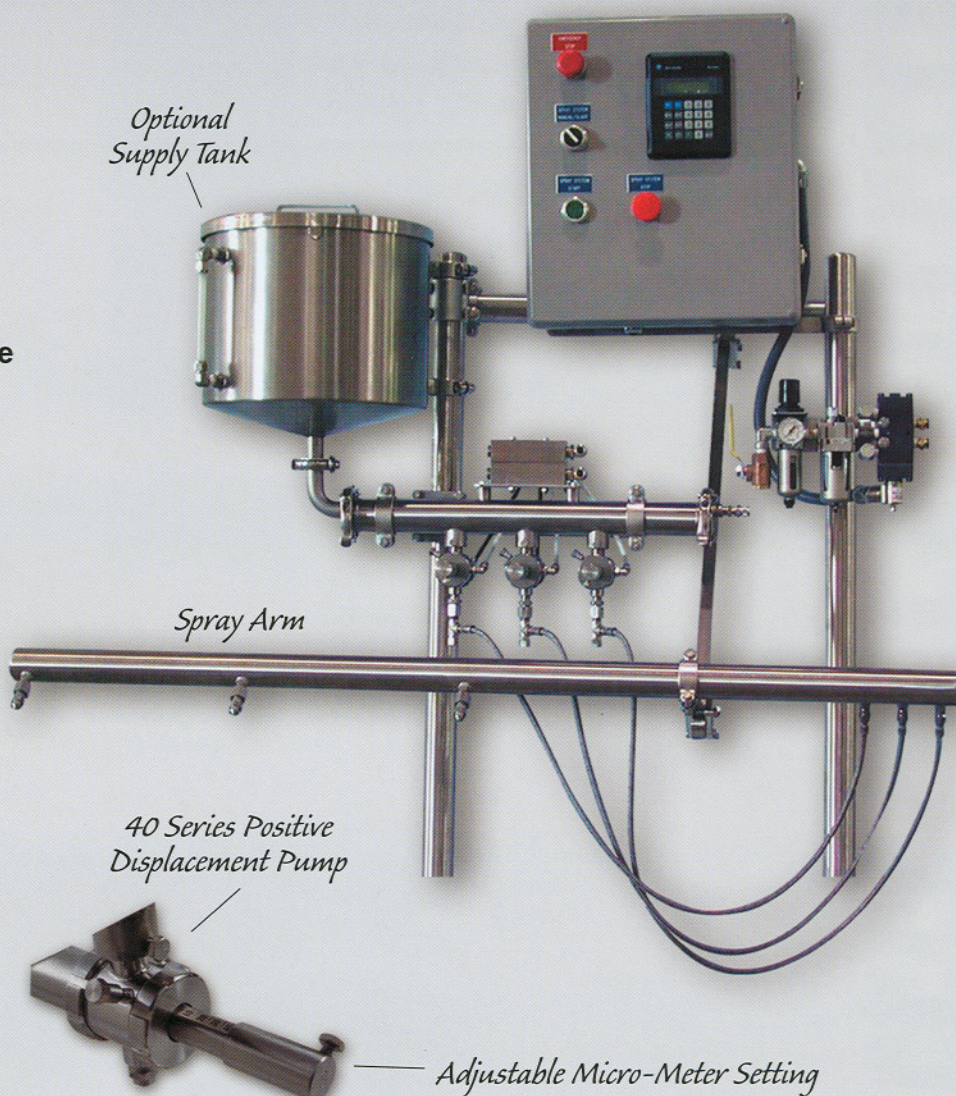
# SERIES I MICRO-METER "AIRLESS" LIQUID APPLICATOR

Sprays with metered accuracy oils, anti-oxidants, vitamins, flavors, tack and release agents, etc.

The Series I Liquid Applicator is a user-friendly, gravity fed, pulse operating spray system. It features our unique nozzle and pump design. The unique nozzle design includes our patented, self-adjusting, positive shut-off, poppet nozzle. Our piston driven, positive displacement pump eliminates the need for mixing plant air with the liquid product creating an airless atomized spray. The Series I Liquid Applicator is designed for coating drum, blender, belt and auger systems.

## Standard Features

- 304 stainless steel construction
- 40 series pumps with adjustable micrometer settings
- Internally plumbed remote nozzle spray arm
- NEMA 4 fiberglass control console
- Panel mounted P.L.C. allows for operator to control liquid application rate up to 250 strokes per minute
- Externally mounted air filter, regulator, lubricator and solenoid
- Mounting hardware package



*Self-Adjusting  
Poppet Nozzle*

*Adjustable Micro-Meter Setting*

Tel: 636-629-7366  
800-260-7366  
Fax: 636-629-7455  
marketing@spraydynamics.com

**SPRAY  
DYNAMICS<sup>®</sup> LTD.** 

Spray Dynamics Ltd., 108 Bolte Lane, St. Clair MO 63077

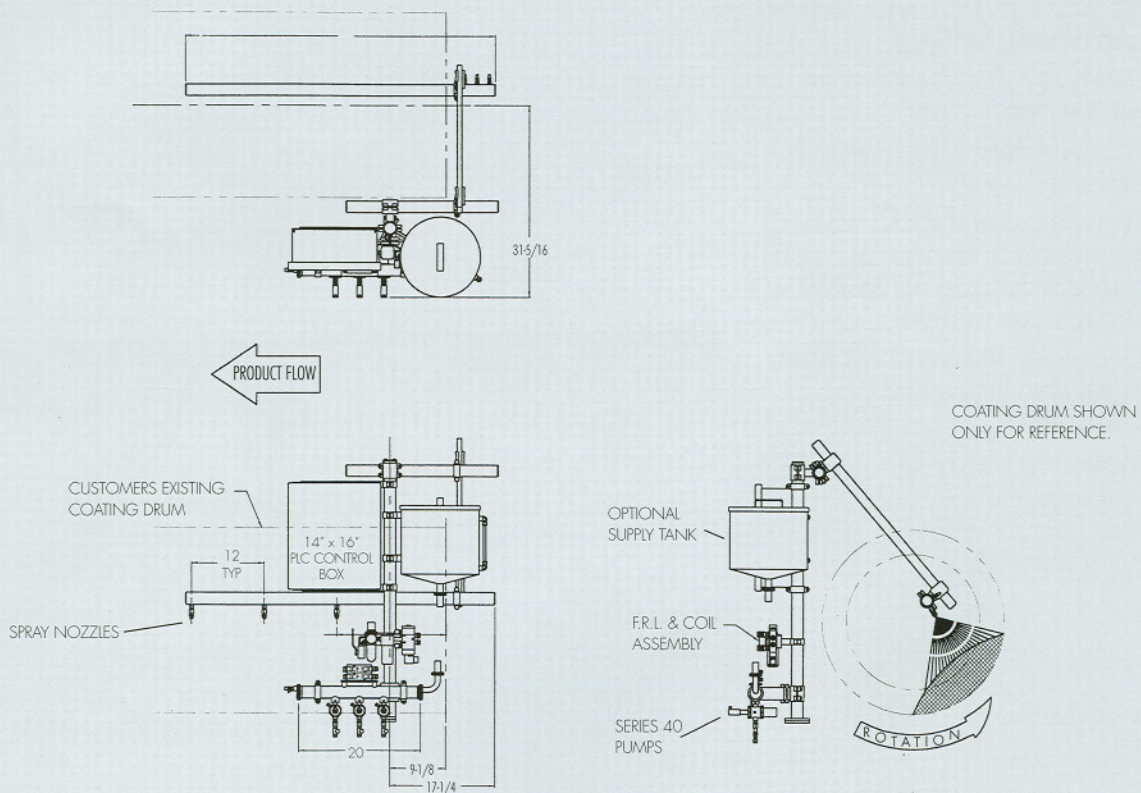
# SERIES I MICRO-METER "AIRLESS" LIQUID APPLICATOR

## AVAILABLE OPTIONS

- Stainless steel supply tank with screen level sight gauge and lid
- Heated manifold, spray arm and supply tank
- 316 stainless steel nozzle construction
- Nozzle variations in degree and size
- Waterflush pumps for special applications
- Pneumatic and fluid isolation valves
- Delta Liquid™ Gravimetric System
- Stainless steel control console
- Specialty alloys for specific applications

## POWER SPECIFICATIONS

- 115/220 VAC, 50/60 Hz, single phase
- 80 P.S.I.G. plant air



Tel: 636-629-7366  
800-260-7366  
Fax: 636-629-7455  
marketing@spraydynamics.com

**SPRAY  
DYNAMICS<sup>®</sup> Ltd.**

Spray Dynamics Ltd., 108 Bolte Lane, St. Clair MO 63077